

Dual US

COM1 - Concealed wiring
 EAN 4007841 007843
 Article number 007843



ultrasonic sensor
360°



3 x 18 m

2000 W

max. 2000 W



IP20



ideal 2,5 - 3,5 m



indoor sensor

iQ

iQ-mode

Teach

Teach mode



energy saving

5 years

manufacturer's
warranty steinel-
professional.de/
garantie

Function description

Watches over the entire corridor. And can see around corners. Dual US ultrasonic motion detector, ideal for corridors and passageways. Reliable detection within 18 m, envelops objects as opposed to penetrating them, detection regardless of temperature, electronically adjustable reach, COM1 for switching light ON and OFF.

Technical specifications

Dimensions (L x W x H)	71 x 120 x 120 mm	Capacitive load in µF	176 µF
Manufacturer's Warranty	5 years	Technology, sensors	Ultrasonic, Light sensor
Settings via	Remote control, DIP switches, Potentiometers, Smart Remote	Mounting height	2,50 – 3,50 m
With remote control	No	Mounting height max.	3,50 m
Version	COM1 - Concealed wiring	Optimum mounting height	2,8 m
PU1, EAN	4007841007843	Ultrasonic technology	40 kHz
Type	Presence detector	Detection angle	Aisle, 360 °
Application, place	Indoors	Angle of aperture	180 °
Application, room	corridor / aisle, Indoors	Sneak-by guard	Yes
Colour	white	Capability of masking out individual segments	No
Colour, RAL	9010	Electronic scalability	Yes
Includes corner wall mount	No	Mechanical scalability	No
Installation site	ceiling	Reach, radial	20 x 3 m (60 m ²)
Installation	Concealed wiring, Ceiling	Reach, tangential	20 x 3 m (60 m ²)
IP-rating	IP20	Functions	Normal / test mode, Semi-/fully automatic, Pushbutton / switch mode, Manual ON / ON-OFF
Ambient temperature	from -25 up to 55 °C		

Dual US

COM1 - Concealed wiring
 EAN 4007841 007843
 Article number 007843



Technical specifications

Material	Plastic
Mains power supply	220 – 240 V / 50 – 60 Hz
Fluorescent lamps, electronic ballast	1500 W
Fluorescent lamps, uncorrected	1000 VA
Fluorescent lamps, series-corrected	1000 VA
Fluorescent lamps, parallel-corrected	1000 VA
Switching output 1, low-voltage halogen lamps	2000 VA
LED lamps < 2 W	100 W
LED lamps > 2 W < 8 W	300 W
LED lamps > 8 W	600 W

Twilight setting	10 – 1000 lx
Time setting	30 s – 30 Min.
Basic light level function	No
Main light adjustable	No
Twilight setting TEACH	Yes
Constant-lighting control	No
Interconnection	Yes
Type of interconnection	Master/master, Master/slave
Interconnection via	Cable
Interconnection, number	max. 10 sensors
Product category	Presence detector

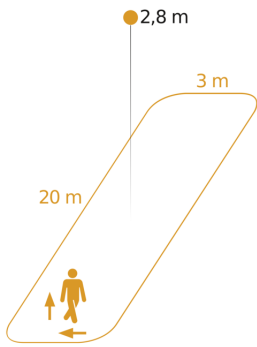
Accessories

EAN 4007841 009151	Remote control Smart Remote
EAN 4007841 559410	Service remote control RC8

Dual US

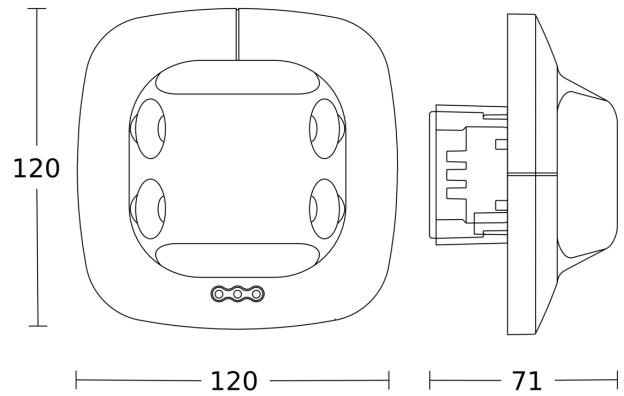
COM1 - Concealed wiring
EAN 4007841 007843
Article number 007843

Detection Zone

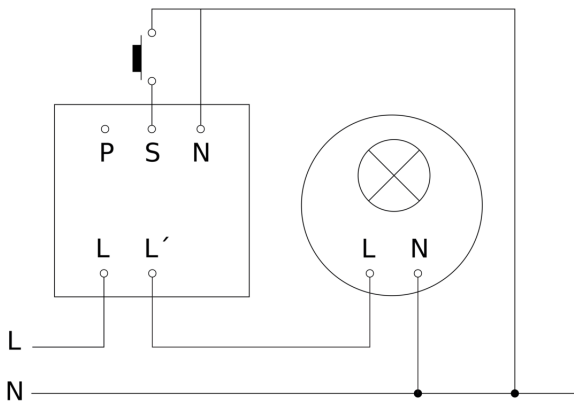


Possible mounting height: 2,50 m - 3,50 m
Orange: radial and tangential

Dimension Drawing



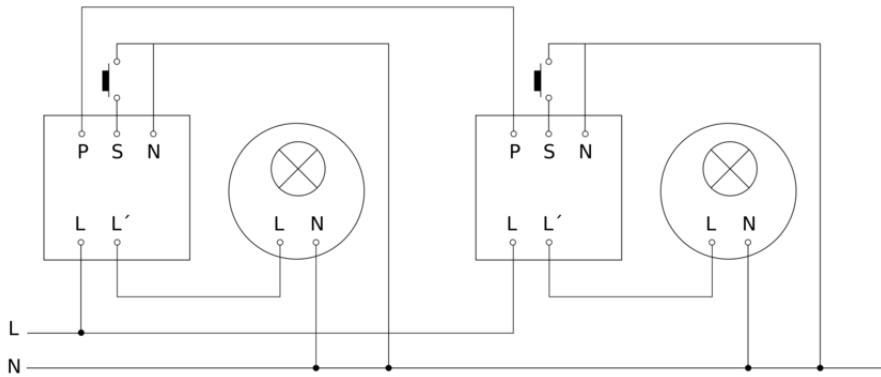
Master circuit diagram



Dual US

COM1 - Concealed wiring
EAN 4007841 007843
Article number 007843

Master/master interconnection circuit diagram



Master/slave interconnection circuit diagram

